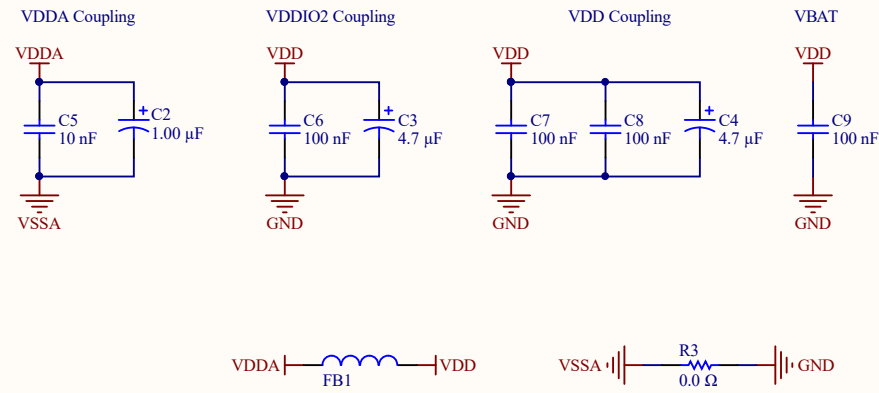
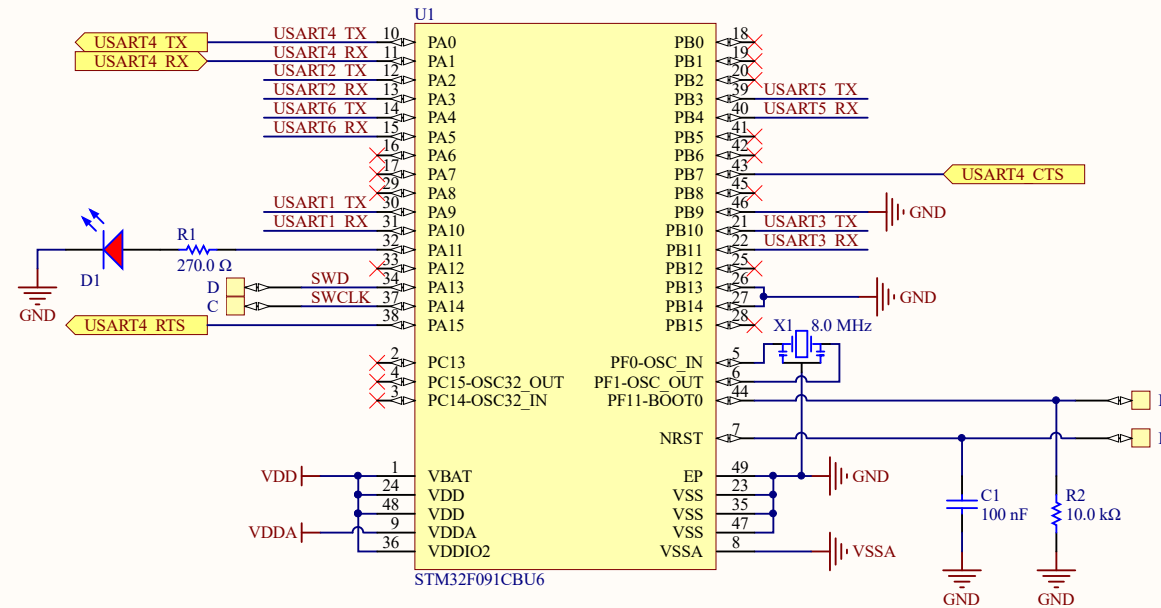
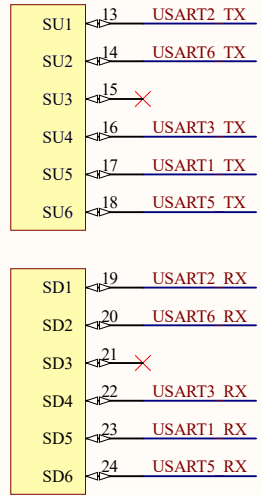
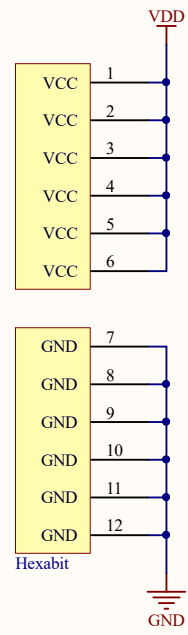
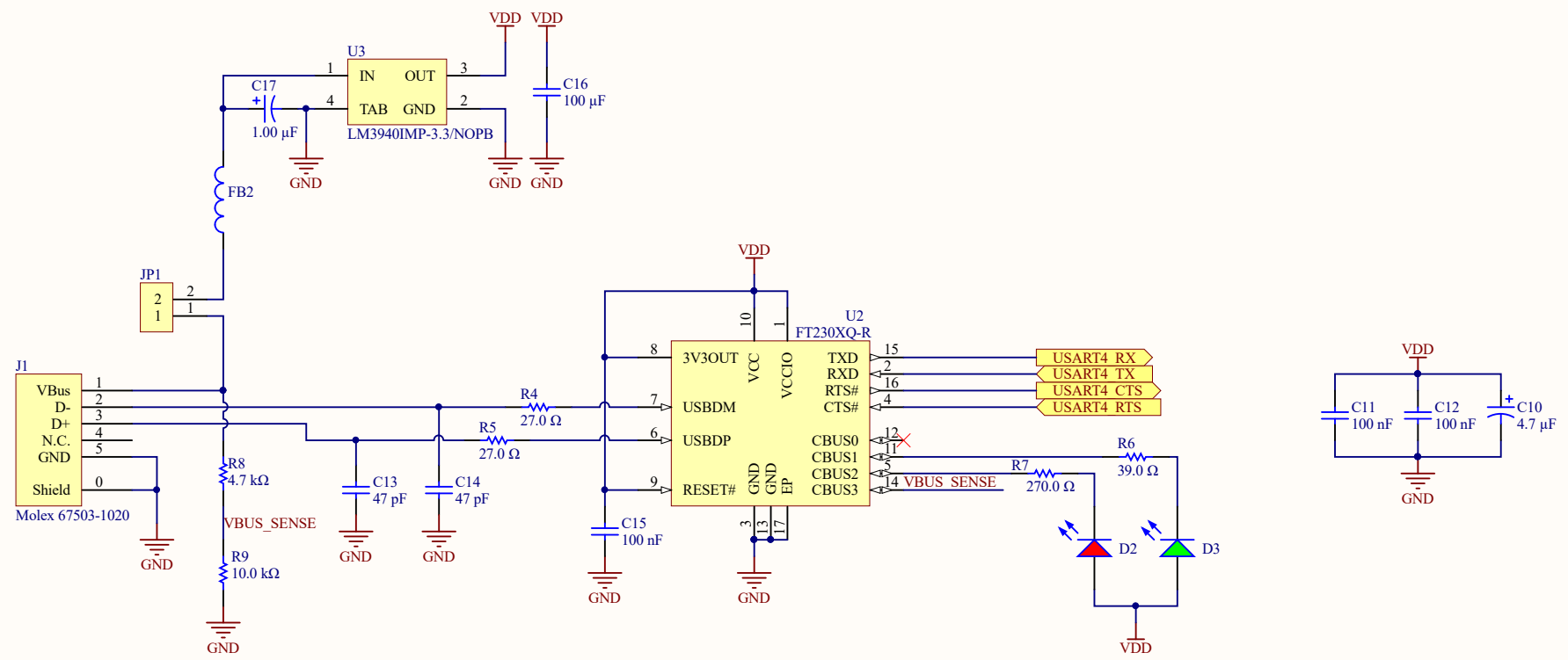


VDD = +3.3V



Title: <b>H11R20 - MCU</b>			Module: <i>H11R20.PrjPcb</i>
Size: Letter	Author: Asaad	Revision: 0	Description: <i>Mini USB-B 2.0 to UART</i>
Date: 5/6/2017	Time: 2:31:02 PM	Sheet 1 of 2	
File: H11R20_MCU.SchDoc			<b>Hexabitz</b> www.hexabitz.com



Title <b>H11R20 - Peripheral</b>			Module: <i>H11R20.PrjPcb</i>
Size: Letter	Author: Asaad	Revision: 0	Description: <i>Mini USB-B 2.0 to UART</i>
Date: 5/6/2017	Time: 2:31:02 PM	Sheet 2 of 2	
File: H11R20_Peripheral.SchDoc			



1

2

3

4